
TURBINE-S1000D DISASSEMBLY

Table of contents

Page

Preliminary requirements	1
Procedure	2
Requirements after job completion	14

List of figures

1	Reductor module	3
2	Turbine Systems	5
3	ICN-TURBINE-A-000000-0-00000-00014-A-01-1	7
4	ICN-TURBINE-A-000000-0-00000-00013-A-01-1	9
5	Combustion chamber removal	11
6	Compressor rotor removal	13

List of tables

1	Required conditions	1
2	Support equipment	1
3	Consumables, materials and expendables	2
4	Spares	2
5	Required conditions	14

Preliminary requirements

Required conditions

Table 1 Required conditions

Action/Condition	Data module/Technical publication
None	

Support equipment

Table 2 Support equipment

Name	Identification/Reference	Quantity	Remarks
PORTAL CRANE	Part No 9850448-02	1 EA	

Applicable to: All

TURBINE-A-000-00-00-00AA-520A-A

UNCLASSIFIED

Table 2 Support equipment (Continued)

Name	Identification/Reference	Quantity	Remarks
STAPEL	Part No S1259-001	1 EA	

Consumables, materials and expendables

Table 3 Consumables, materials and expendables

Name	Identification/Reference	Quantity	Remarks
None			

Spares

Table 4 Spares

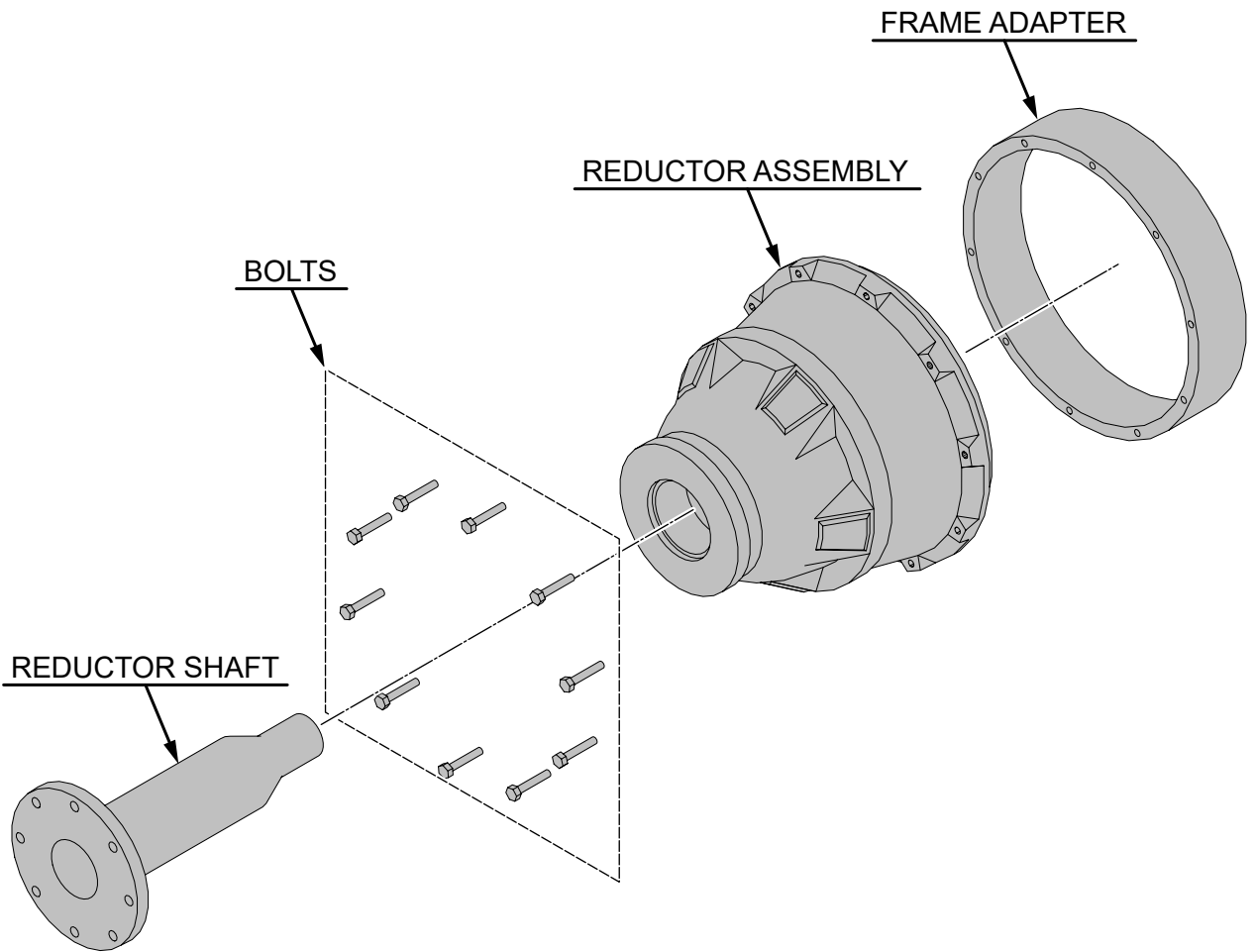
Name	Identification/Reference	Quantity	Remarks
None			

Safety conditions

None

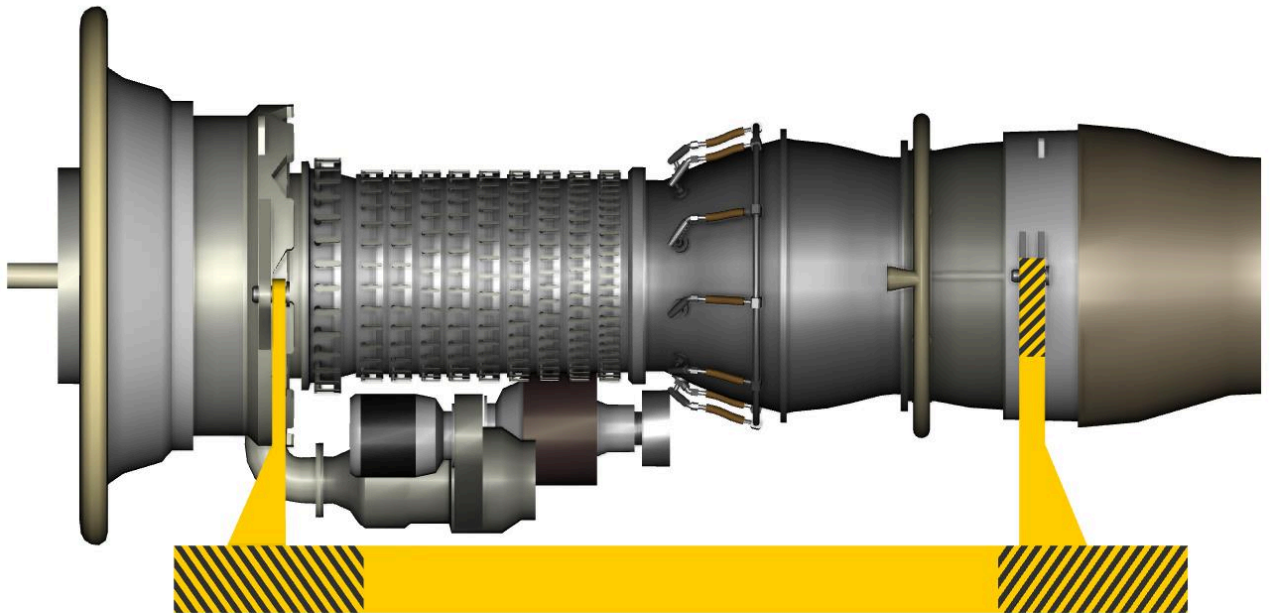
Procedure

- 1 REDUCTOR COVER REMOVAL
- 1.1 REMOVE UPPER COVER RC-001
- 1.2 REMOVE LOWER COVER RC-002
- 1.3 REMOVE 10 BOLTS (KOR-10)
- 1.4 DETACH REDUCTOR MODULE M-001



ICN-TURBINE-A-000000-0-00000-00021-A-01-1

Fig 1 Reductor module



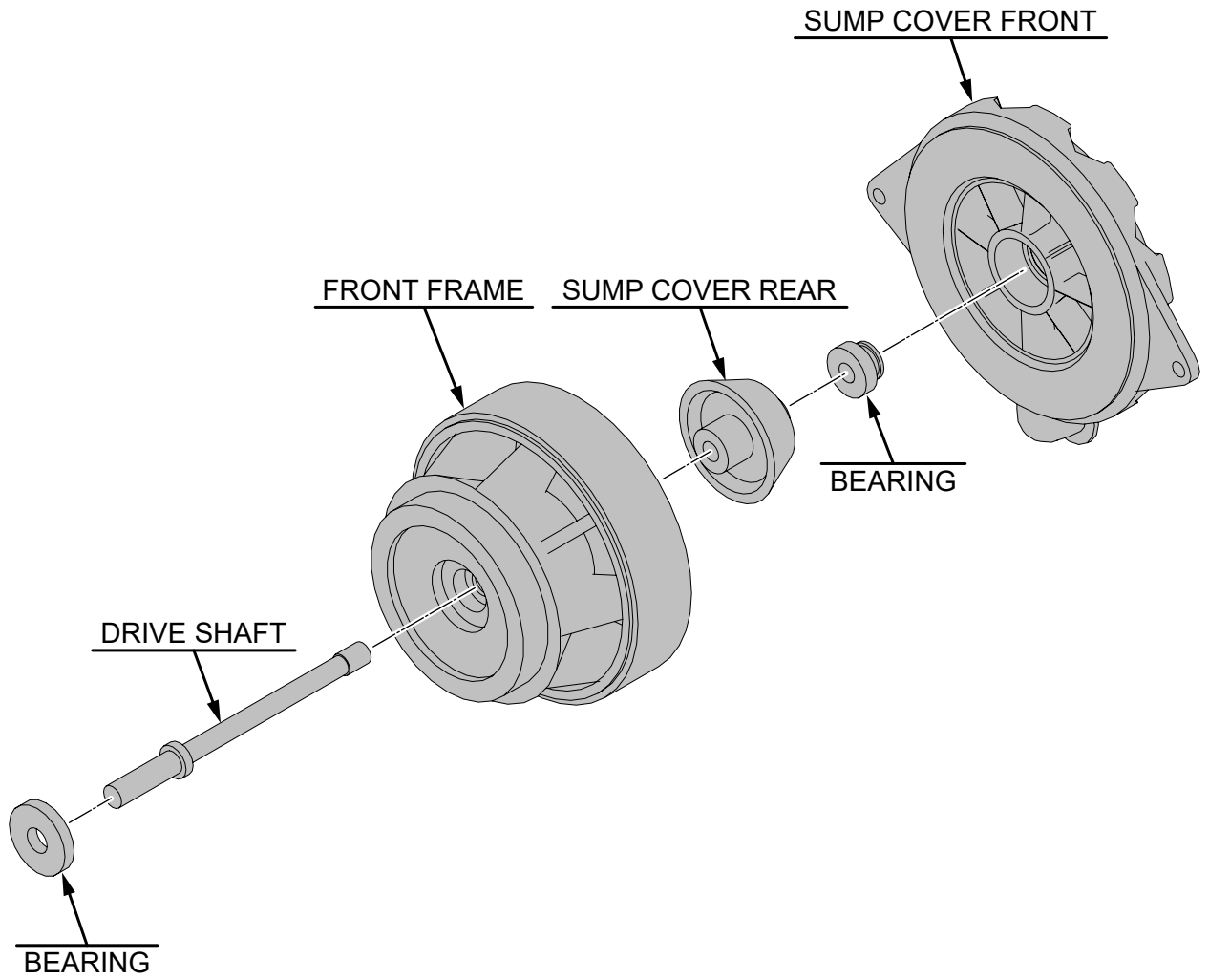
ICN-TURBINE-A-000000-0-00000-00022-A-01-1
Fig 2 Turbine Systems

UNCLASSIFIED

- 2.1 DETACH STARTER M-007

- 2.2 DISASSEMBLE FUEL PIPELINE M-004-004 AND FUEL NOZZELS M-004-005
- 2.3 DISASSEMBLE COOLING SYSTEM PIPELINE T-001
- 3 INLET/OUTLET NOZZLES DISASSEMBLY
- 3.1 REMOVE FORWARD PART OF INLET NOZZLE IN-001

- 3.2 REMOVE AFT PART OF INLET NOZZLE IN-002
- 3.3 REMOVE OUTLET NOZZLE MODULE M-006
- 4 FORWARD SUMP DISASSEMBLY



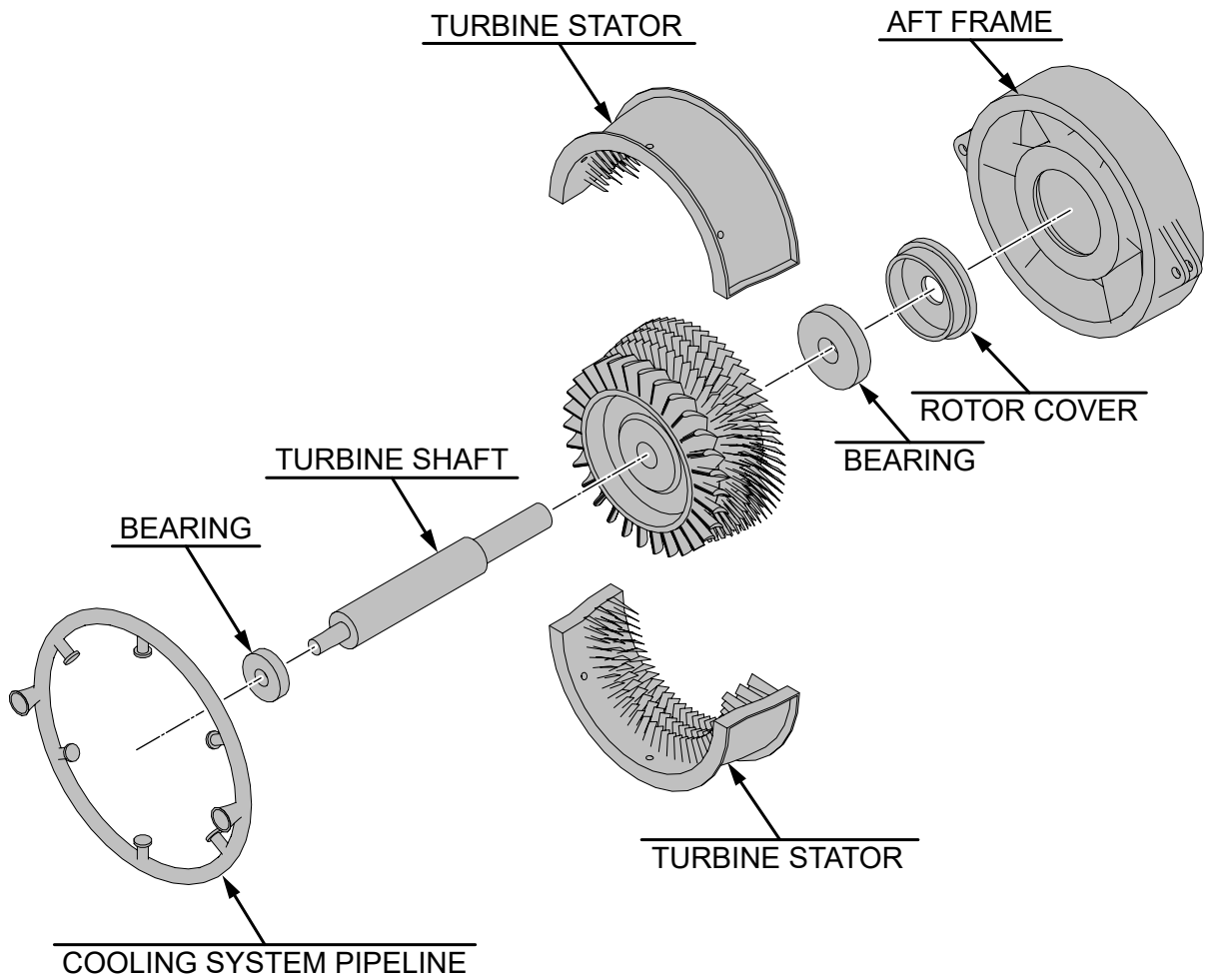
ICN-TURBINE-A-000000-0-00000-00014-A-01-1
Fig 3 ICN-TURBINE-A-000000-0-00000-00014-A-01-1

UNCLASSIFIED

-
- 4.1 PLACE WAY UNDER COMPRESSOR

 - 4.2 PLACE WAY UNDER COMBUSTION CHAMBER
 - 4.3 DETACH FORWARD SUMP M-002
 - 5 TURBINE MODULE DISASSEMBLY
 - 5.1 PLACE WAY UNDER TURBINE

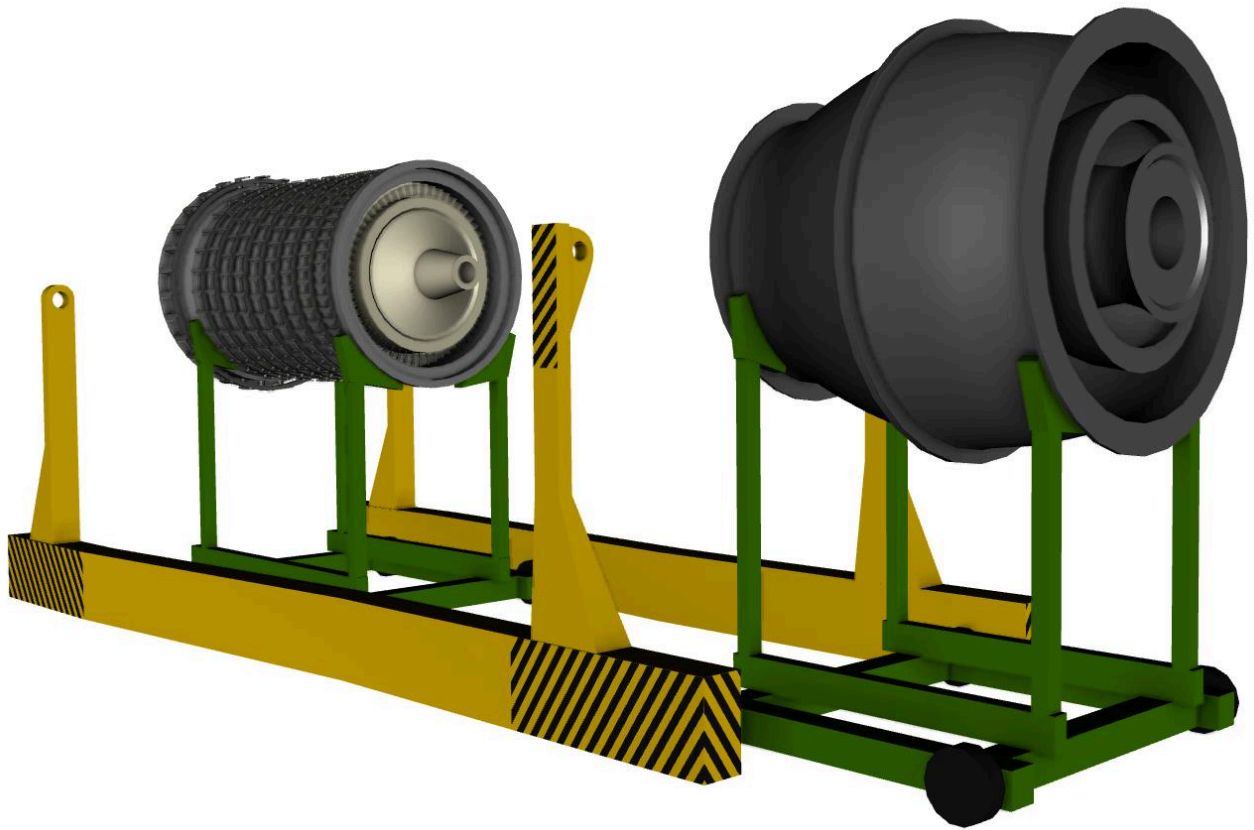
 - 5.2 DETACH AFT FRAME M-005-003
 - 5.3 DETACH LOW PRESSURE TURBINE (LPT)



ICN-TURBINE-A-000000-0-00000-00013-A-01-1
Fig 4 ICN-TURBINE-A-000000-0-00000-00013-A-01-1

UNCLASSIFIED

-
- 5.4 REMOVE LPT UPPER CASE
 - 5.5 REMOVE LPT ROTOR M-005-001
 - 6 COMBUSTION CHAMBER DISASSEMBLY



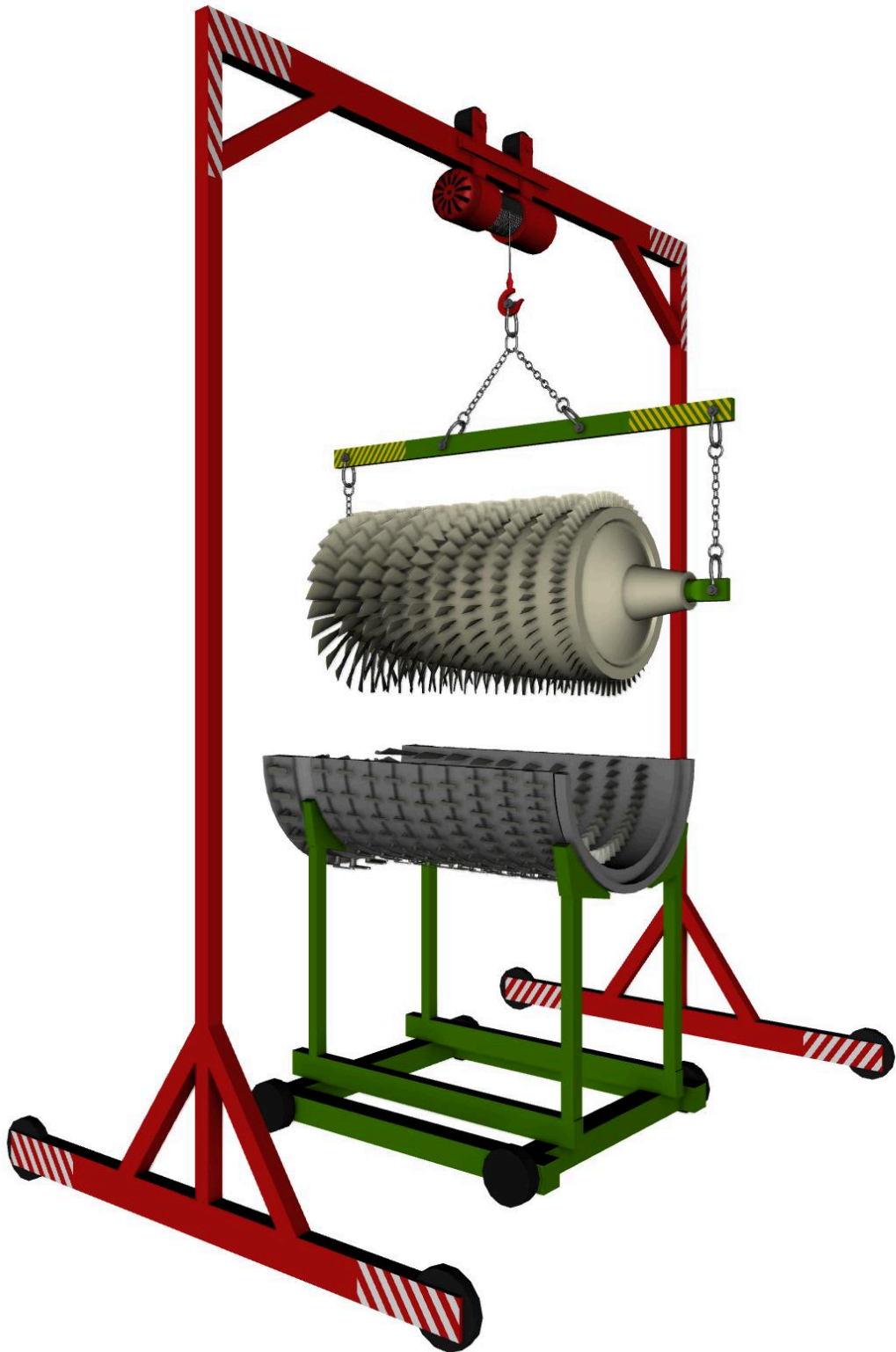
ICN-TURBINE-A-000000-0-00000-00023-A-01-1
Fig 5 Combustion chamber removal

UNCLASSIFIED

-
- 6.1 DETACH COMBUSTION CHAMBER M-004

 - 7 COMPRESSOR MODULE DISASSEMBLY
 - 7.1 DISASSEMBLE STATOR BLADES CONTROL SYSTEM

 - 7.2 REMOVE COMPRESSOR UPPER CASE M-003-002 WITH BLADES
 - 7.3 REMOVE COMPRESSOR ROTOR M-003-003



ICN-TURBINE-A-000000-0-00000-00024-A-01-1

Fig 6 Compressor rotor removal

Requirements after job completion

Required conditions

Table 5 Required conditions

Action/Condition	Data module/Technical publication
None	
